

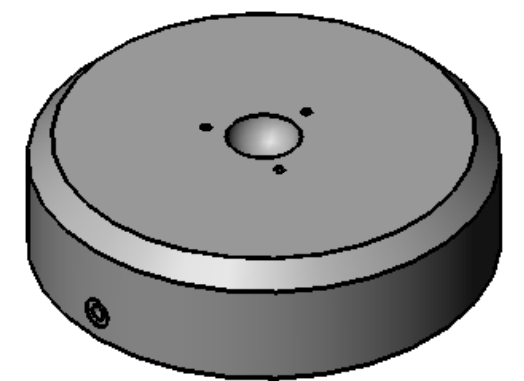
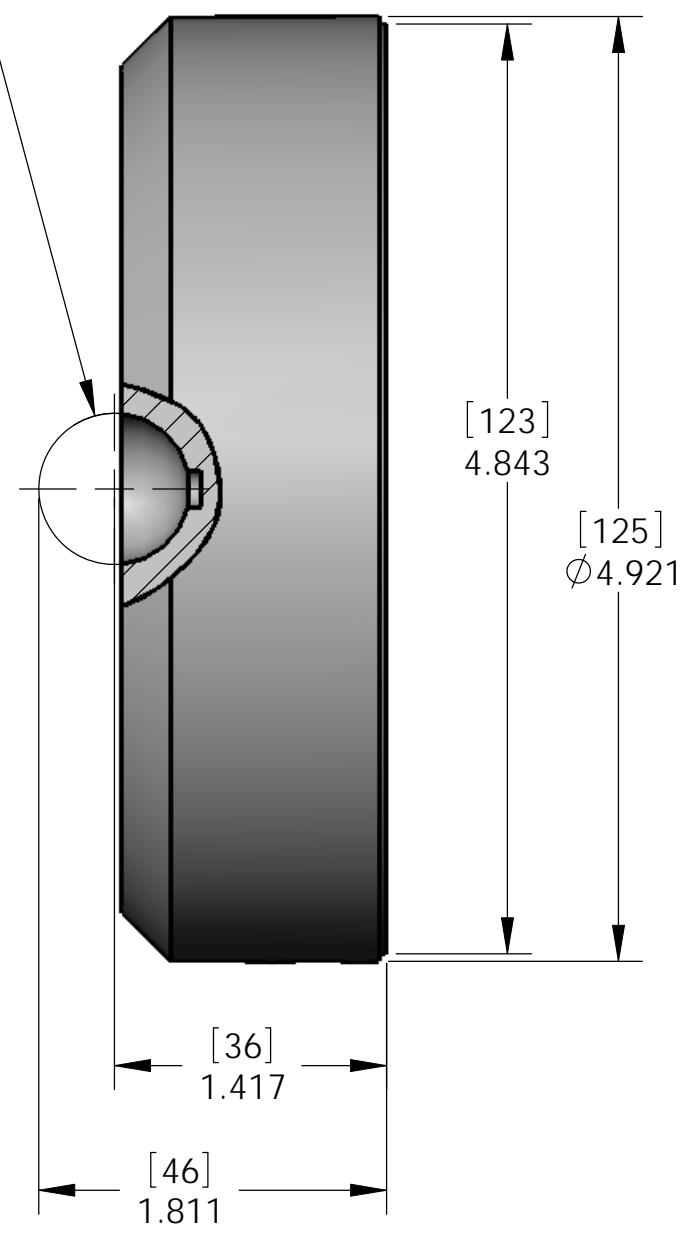
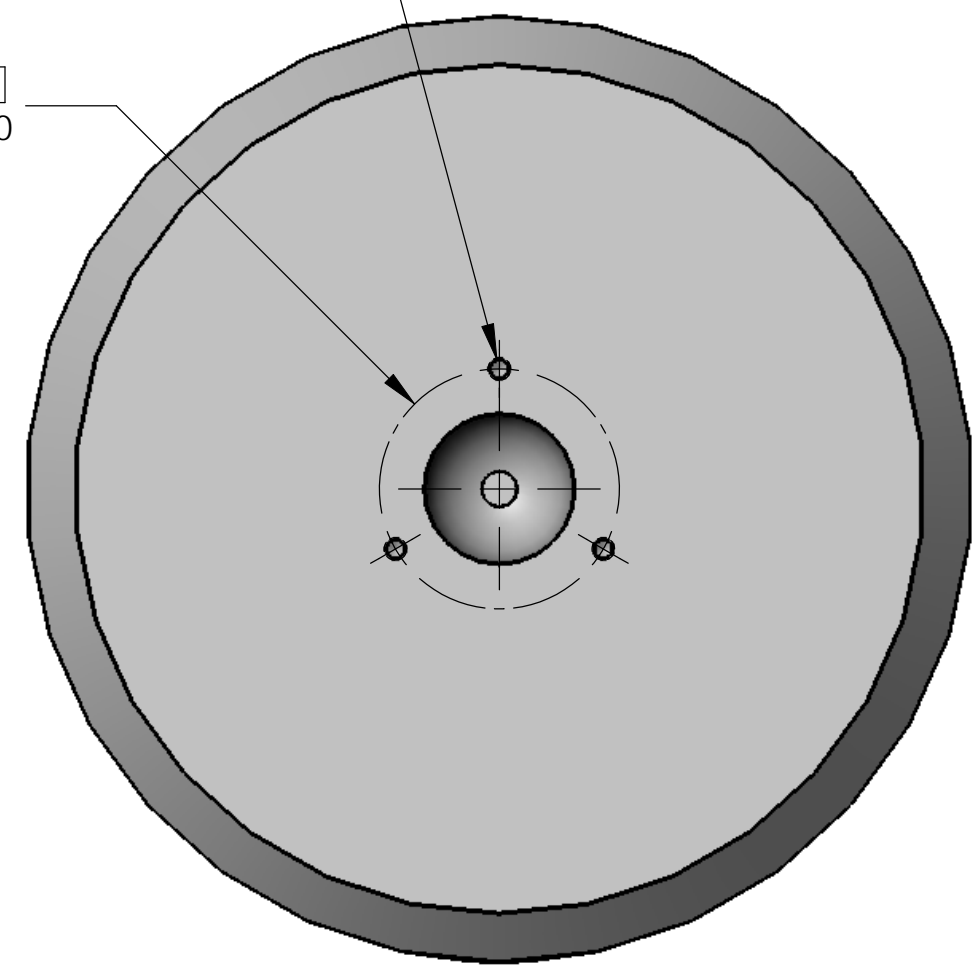
REVISIONS			
REV.	DESCRIPTION	DATE	APPROVED

3X  $\phi$  .098[2.50]  $\nabla$  .236[6]  
M3X0.5 - 6H  $\nabla$  .177[4.50]

BALL INTERFACE  
[20]  
 $\phi$ .787

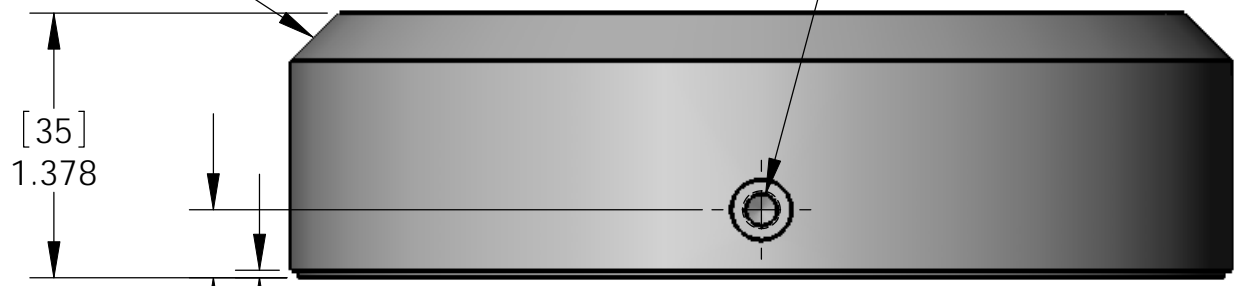
[31.75]  
 $\phi$ 1.250

- NOTES:
1. NOMINAL SUPPLY PRESSURE: 60PSI
  2. NOMINAL LOAD: 625LBS [2780N]
  3. STIFFNESS: 1450000LBS/IN [254000N/mm]
  4. FLOW: 7 SCFH
  5. LIFT: .0002" [.005mm]
  6. MASS OF FLAT PAD: 1.15LBS [0.5KG]
  7. BEARING MATERIAL: 6061 AL, HARDCOAT
  8. BEARING TYPE: DISCRETE NOZZLE
  9. BEARING SURFACE FLATNESS: .00002"
  10. GUIDE SURFACE FLATNESS: <0.00005"/6"



AIR INLET  
M5X0.8 - 6H  $\nabla$  .394[10.01]

.250 X 45.00°



[35]  
1.378

[9]  
.354

[1]  
.039

ITEM NO.	PART OR IDENTIFYING NO.	NOMENCLATURE OR DESCRIPTION	MATERIAL SPECIFICATION	QTY REQD
PARTS LIST				
UNLESS OTHERWISE SPECIFIED DIMENSIONS ARE IN INCHES TOLERANCES ARE:		CAD GENERATED DRAWING, DO NOT MANUALLY UPDATE		<b>NELSON AIR CORP.</b> 559 ROUTE 13 SOUTH, PO BOX 2 MILFORD, NH 03055 (603) 673-3908 FAX: (603) 672-3008
FRACTIONS DECIMALS ANGLES		APPROVALS	DATE	
±	.XX± .01 +_1	DRAWN		FP-C-050 5.0" [125mm] FLAT PAD AIR BEARING
	.XX±.005	CHECKED		
MATERIAL	6061-6511	RESP ENG		
FINISH	BLACK HARDCOAT	MFG ENG		
NEXT ASSY USED ON		QUAL ENG		SIZE B DWG. NO. <b>FP-C-050</b> REV. <b>00</b>
APPLICATION		DO NOT SCALE DRAWING		SHEET 1 OF 1

THE INFORMATION CONTAINED IN THIS DRAWING IS THE SOLE PROPERTY OF NELSON AIR CORP. ANY REPRODUCTION IN PART OR WHOLE WITHOUT THE WRITTEN PERMISSION OF NELSON AIR CORP IS PROHIBITED.