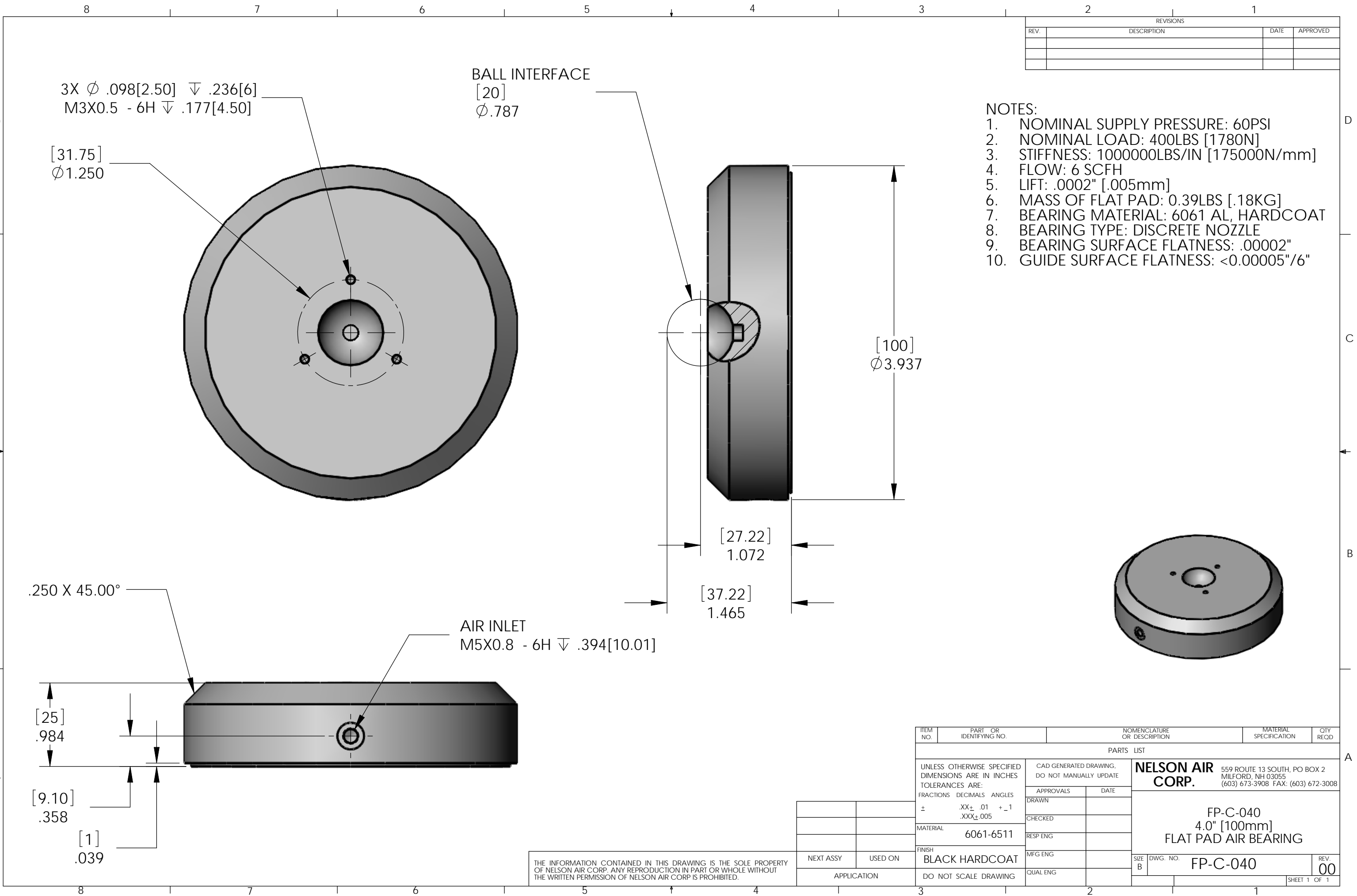


REVISIONS			
REV.	DESCRIPTION	DATE	APPROVED

- NOTES:
1. NOMINAL SUPPLY PRESSURE: 60PSI
 2. NOMINAL LOAD: 400LBS [1780N]
 3. STIFFNESS: 1000000LBS/IN [175000N/mm]
 4. FLOW: 6 SCFH
 5. LIFT: .0002" [.005mm]
 6. MASS OF FLAT PAD: 0.39LBS [.18KG]
 7. BEARING MATERIAL: 6061 AL, HARDCOAT
 8. BEARING TYPE: DISCRETE NOZZLE
 9. BEARING SURFACE FLATNESS: .00002"
 10. GUIDE SURFACE FLATNESS: <0.00005"/6"



ITEM NO.	PART OR IDENTIFYING NO.	NOMENCLATURE OR DESCRIPTION	MATERIAL SPECIFICATION	QTY REQD
PARTS LIST				
UNLESS OTHERWISE SPECIFIED DIMENSIONS ARE IN INCHES		CAD GENERATED DRAWING, DO NOT MANUALLY UPDATE		NELSON AIR CORP. 559 ROUTE 13 SOUTH, PO BOX 2 MILFORD, NH 03055 (603) 673-3908 FAX: (603) 672-3008
TOLERANCES ARE:		APPROVALS	DATE	
FRACTIONS	DECIMALS	ANGLES		FP-C-040 4.0" [100mm] FLAT PAD AIR BEARING
±	.XX± .01	+ .1	DRAWN	
	.XXX± .005		CHECKED	
			RESP ENG	
MATERIAL	6061-6511		MFG ENG	SIZE B
FINISH	BLACK HARDCOAT		QUAL ENG	DWG. NO. FP-C-040
NEXT ASSY	USED ON	APPLICATION	DO NOT SCALE DRAWING	REV. 00
				SHEET 1 OF 1

THE INFORMATION CONTAINED IN THIS DRAWING IS THE SOLE PROPERTY OF NELSON AIR CORP. ANY REPRODUCTION IN PART OR WHOLE WITHOUT THE WRITTEN PERMISSION OF NELSON AIR CORP IS PROHIBITED.