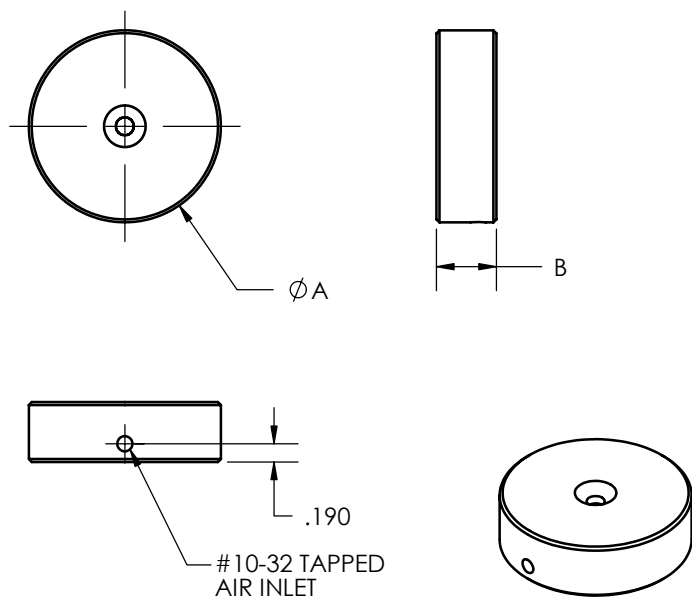


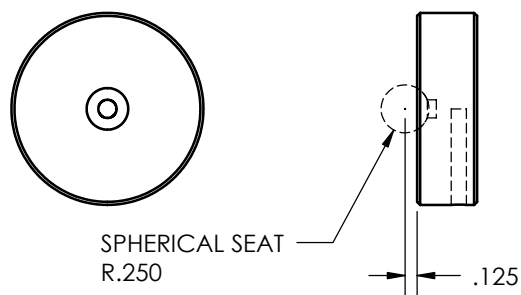
NELSON AIR

559 Route 13 South, PO Box 2
 Milford, NH 03055
 (603) 673-3908 Fax:(603) 672-3008
 e-mail: info@nelsonair.com
 www.nelsonair.com

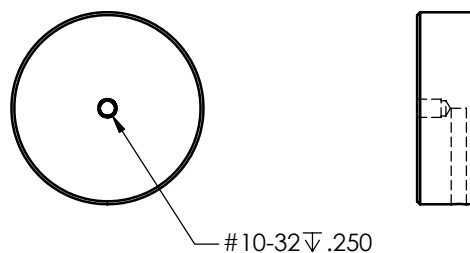
Standard Flat Pad Air Bearings



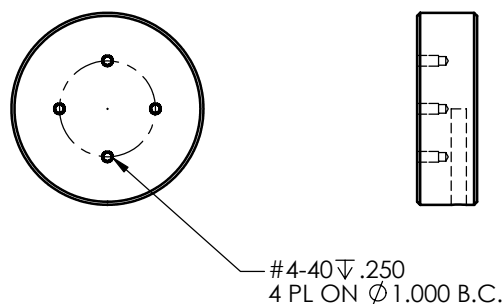
MOUNTING OPTION A



MOUNTING OPTION B



MOUNTING OPTION C



Model	A	B	D (in.sq.)	Load (lbs)	Stiffness (lbs/in)
FP-C-010	1.0"	0.5"	0.79	14	100,000
FP-C-015	1.5"	0.5"	1.76	32	160,000
FP-C-020	2.0"	0.625"	3.14	56	300,000
FP-C-025	2.5"	0.625"	4.91	88	450,000
FP-C-030	3.0"	0.875"	7.07	127	635,000
FP-C-040	4.0"	1.000"	12.56	226	1,000,000
FP-C-050	5.0"	1.250"	19.63	353	1,450,000
FP-C-060	6.0"	2.250"	28.2	508	2,000,000

D = Projected Area
 $.3 \times \text{PSIG} \times D = \text{Approx. Load Limit}$
 Load and Stiffness at .0005 Air Gap & 60 psi

All dimensions in inches. Air inlets are tapped 10-32.
 A barbed fitting for 1/8" ID tygon tubing is supplied unless otherwise specified.
 Bearings require approx. 30-90 psi - regulator - 10 micron filter.

Accessories:

- Motors, encoders, and controllers customized for your application can be supplied.

Nelson Air prides itself on providing high quality positioning solutions for its customers.
 Please call us for more information.